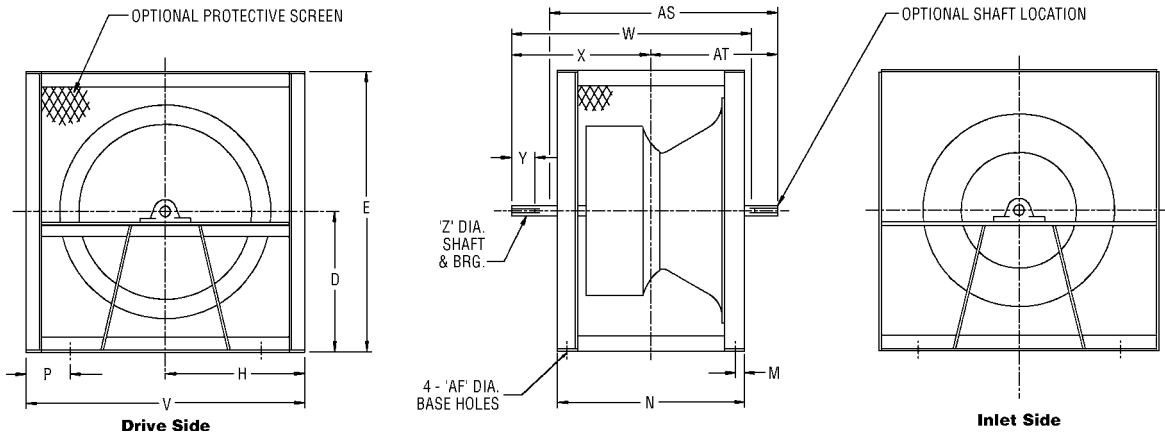


ESP Horizontal Plenum AF

Standard & Piggyback

Arrangement 3, SWSI, Class I & II



Notes:

1. CW & CCW rotation available. Rotation and motor position are determined from side opposite inlet.
2. Max. motor applies only to piggyback mounts.
3. Refers to all frame angles unless otherwise specified.
4. Dimensions should not be used for construction. Certified drawings are available upon request.

Dimensional Data

Size	D	E	H	V	N	Class I		Class II		Y	'Z' - Class I		'Z' - Class II		Class I		Class II		P	M	AF	AG	AJ	(3.) Angle	(2.) Max. Mtr.
						W	X	W	X		Shaft	Keyway	Shaft	Keyway	AS	AT	AS	AT							
						W	X	W	X		AS	AT	AS	AT											
182	14.50	28.00	13.00	26.00	18.50	27.00	15.75	27.50	16.06	3.50	1.188	0.25 x 0.13	1.688	0.38 x 0.19	28.13	16.88	28.25	16.88	3.38	0.88	0.56	8.38	9.63	1.50 x 2.00	215T
200	16.00	31.00	14.50	29.00	20.13	28.63	16.50	29.13	16.88	3.50	1.188	0.25 x 0.13	1.688	0.38 x 0.19	29.75	17.75	29.88	17.75	3.63	0.88	0.56	9.19	10.88	1.50 x 2.00	254T
222	18.00	35.25	16.25	32.50	21.63	30.63	17.75	31.13	18.13	4.00	1.188	0.25 x 0.13	1.688	0.38 x 0.19	31.75	19.00	31.88	19.00	5.13	0.88	0.56	9.94	11.13	2.00 x 2.00	254T
245	19.50	37.75	17.25	34.50	23.63	33.25	19.13	33.25	19.13	4.00	1.438	0.38 x 0.19	1.688	0.38 x 0.19	33.88	20.00	33.88	20.00	6.13	0.88	0.56	10.94	11.13	2.00 x 2.00	256T
270	21.50	41.25	18.75	37.50	25.63	35.25	20.19	35.25	20.19	4.00	1.688	0.38 x 0.19	1.688	0.38 x 0.19	36.00	21.00	36.00	21.00	5.63	0.88	0.56	11.94	13.13	2.00 x 2.00	256T
300	24.00	45.00	21.00	42.00	28.81	37.25	21.13	37.63	21.38	4.00	1.688	0.38 x 0.19	1.938	0.50 x 0.25	37.88	21.94	38.00	21.94	4.13	1.13	0.56	13.31	16.88	2.50 x 2.50	284T
330	26.50	49.50	23.00	46.00	31.38	39.88	22.38	40.25	22.63	4.00	1.688	0.38 x 0.19	1.938	0.50 x 0.25	40.38	23.25	40.50	23.25	4.13	1.13	0.56	14.56	18.88	2.50 x 2.50	286T
365	29.00	53.50	24.50	49.00	33.88	43.50	24.75	43.88	25.00	5.00	1.688	0.38 x 0.19	1.938	0.50 x 0.25	44.00	25.50	44.13	25.50	4.13	1.13	0.56	15.81	20.38	2.50 x 2.50	324T
402	32.00	60.00	27.00	54.00	38.06	48.00	27.00	48.63	27.38	5.00	1.938	0.50 x 0.25	2.188	0.50 x 0.25	48.88	28.13	49.13	28.13	4.63	1.38	0.56	17.69	22.38	3.00 x 3.00	326T
445	33.75	64.00	29.25	58.50	41.25	51.75	29.13	52.38	29.50	5.50	1.938	0.50 x 0.25	2.188	0.50 x 0.25	52.50	30.25	52.88	30.25	5.63	1.38	0.81	19.25	23.63	3.00 x 3.00	326T
490	37.50	70.00	31.50	63.00	45.00	56.00	31.38	56.75	31.88	5.50	2.188	0.50 x 0.25	2.438	0.63 x 0.31	56.63	32.13	56.75	32.13	5.63	1.38	0.81	21.13	25.88	3.00 x 3.00	326T
542	40.50	75.00	34.50	69.00	50.75	61.00	34.19	61.13	34.25	6.00	2.438	0.58 x 0.31	2.688	0.63 x 0.31	61.00	34.50	61.00	34.50	5.63	1.88	0.81	23.50	28.88	3.00 x 4.00	326T

Dimensions in inches.

<p>PENNBARRY™</p> <p>1401 North Plano Road, Richardson, TX 75081 Ph: 972.234.3202 Fax: 972.497.0468 www.PennBarry.com</p>	<h2 style="margin: 0;">Submittal Sheet</h2> <h3 style="margin: 0;">ESP Horizontal Plenum AF</h3> <h4 style="margin: 0;">Standard & Piggyback</h4> <h4 style="margin: 0;">Arrangement 3, SWSI, Class I & II</h4>
--	---

This drawing illustrates our understanding of order requirements. When approved, it represents details for fabrication, as such, PennBarry will not be responsible for revisions in the field or other changes after release for fabrication. Published and protected by PennBarry, Richardson, TX. All rights reserved. May not be reproduced partially or in full without permission from the publisher. No rights conveyed to manufacture partially or in full, use or sell either the method of construction represented or any invention in any way related thereto.