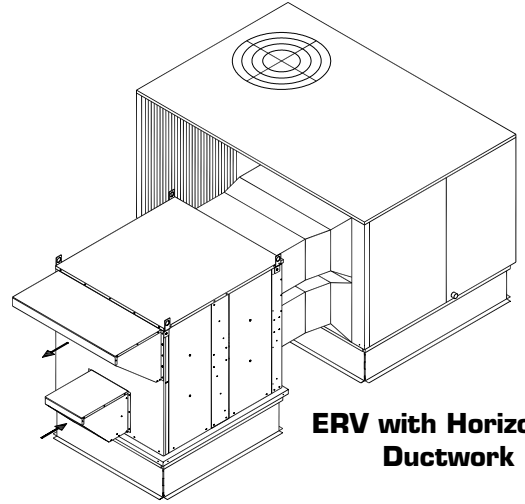


O-SERIES

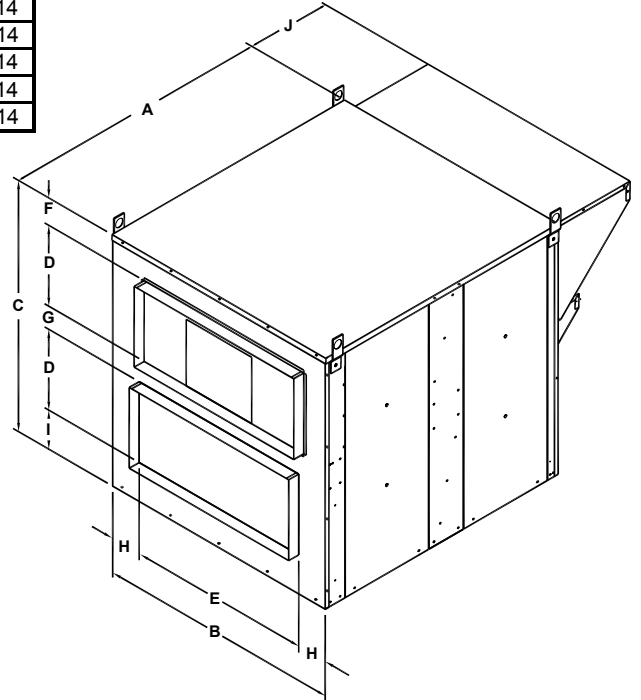
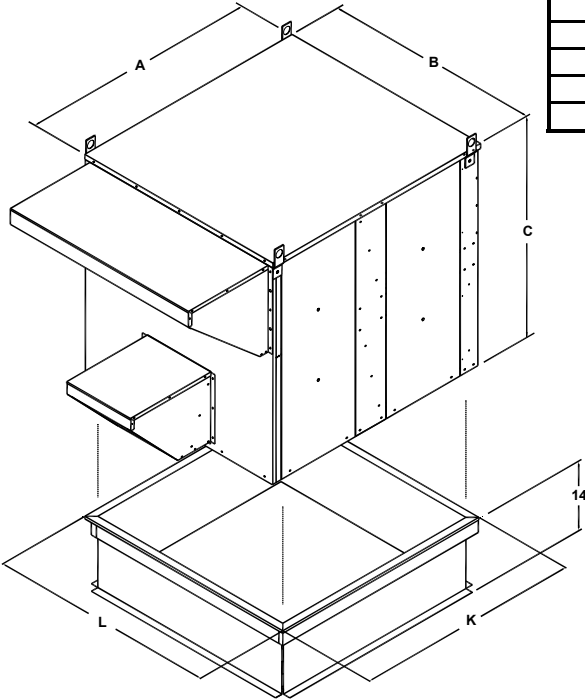
Notes:

1. Stand alone design allows higher levels of outdoor air to be introduced into conditioned space.
2. Static test ports provide intake and exhaust CFM verification.
3. Balancing dampers (provided by others) may be required for proper operation.
4. Roof curbs are available for the ERV's
5. Filter rack with 2" pleated filters included.



ERV with Horizontal Ductwork

ERV Roof Curbs	
Series	Model No.
O11	01-2O1-2514
O20	01-2D1-3014
O28	01-2O1-2514
O36	01-2D1-2514
O46	01-2D1-2514
O62	01-2O1-2514



ERV DATA		DIMENSIONAL DATA											
ERV Series	CFM Range	A	B	C	D	E	F	G	H	I	J	K	L
O11	300-1100	56.75	32.13	39.50	11.00	27.00	6.50	10.00	2.56	1.00	11.00	55.00	30.25
O20	1200-2000	54.38	37.25	37.50	12.00	30.00	8.00	4.00	3.63	1.50	20.32	52.75	35.50
O28	1200-2800	60.00	42.63	43.56	14.00	32.00	9.56	4.50	5.31	1.50	18.32	49.50	41.00
O36	2000-3600	60.00	46.69	57.37	16.50	39.50	12.13	6.38	3.59	5.88	18.32	55.75	41.81
O46	3000-4600	60.00	52.69	57.37	16.50	39.50	12.13	6.38	6.59	5.88	18.32	55.75	47.81
O62	4600-6200	72.00	70.88	63.63	19.50	39.50	12.13	6.50	15.69	5.88	18.32	67.75	66.00



PENN BARRY™
 1401 North Plano Rd, Richardson, TX 75081
 Ph: 972.234.3202 Fax: 972.497.0468
 www.PennBarry.com

Submittal Sheet

**O-Series
 Stand Alone ERV For Over/Under Duct
 Arrangements**

This drawing illustrates our understanding of order requirements. When approved, it represents details for fabrication, as such, PennBarry will not be responsible for revisions in the field or other changes after release for fabrication. Published and protected by PennBarry, Richardson, TX. All rights reserved. May not be reproduced partially or in full without permission from the publisher. No rights conveyed to manufacture partially or in full, use or sell either the method of construction represented or any invention in any way related thereto