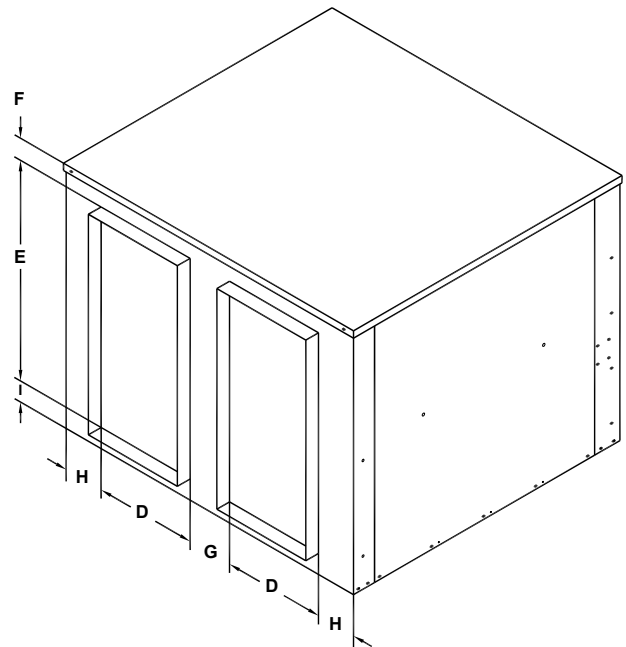
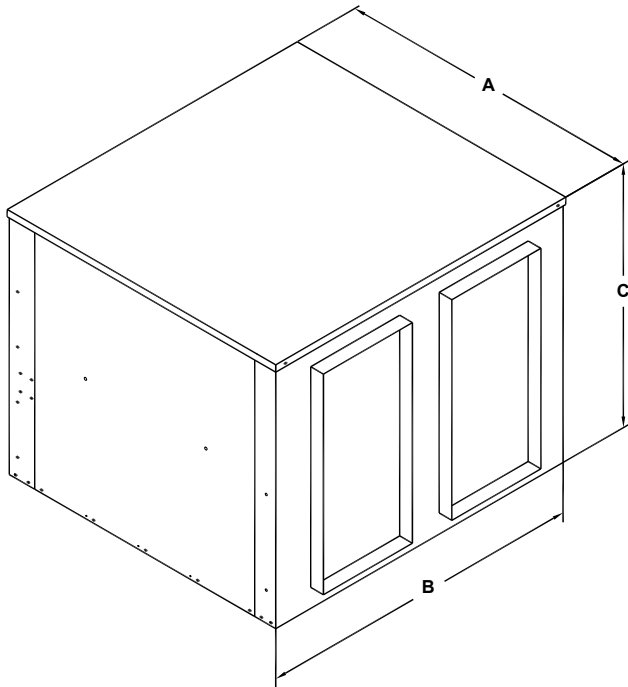
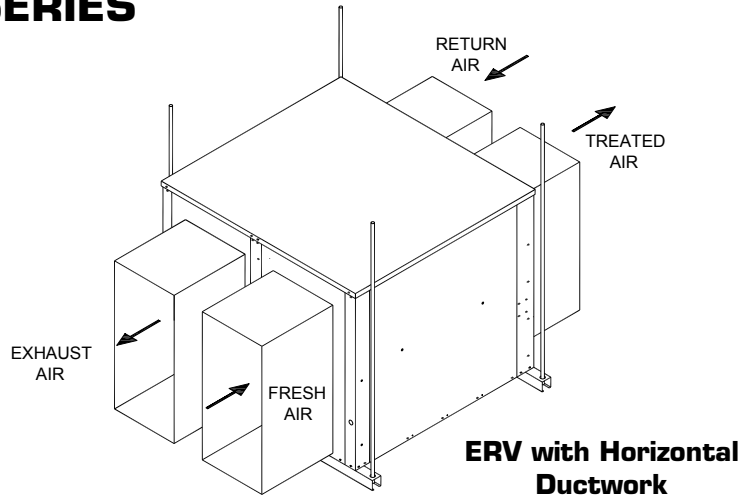


M-SERIES

Notes:

1. Stand alone design allows higher levels of outdoor air to be introduced into conditioned space.
2. Static test ports provide intake and exhaust CFM verification.
3. Balancing dampers (provided by others) may be required for optimal performance.
4. Filter rack with 2" pleated filters included.



ERV DATA		DIMENSIONAL DATA								
ERV Series	CFM Range	A	B	C	D	E	F	G	H	I
M11	300-1100	44.75	32.13	33.50	11.00	27.00	4.00	4.25	2.88	2.50
M20	1200-2000	54.38	37.25	37.50	12.00	30.00	5.87	5.13	4.06	1.63
M28	1200-2800	52.25	42.63	43.56	14.00	32.00	8.69	5.25	4.25	2.88
M36	2000-3600	60.00	46.69	57.37	16.50	39.50	12.00	5.50	4.05	5.88
M46	3000-4600	60.00	52.69	57.37	16.50	39.50	12.00	8.69	5.50	5.88
M62	4600-6200	72.00	70.88	63.63	19.50	39.50	17.53	14.50	8.70	6.60



PENN BARRY™
 1401 North Plano Rd, Richardson, TX 75081
 Ph: 972.234.3202 Fax: 972.497.0468
 www.PennBarry.com

Submittal Sheet

**M-Series
 Stand Alone ERV For Side by Side
 Indoor Application**

This drawing illustrates our understanding of order requirements. When approved, it represents details for fabrication, as such, PennBarry will not be responsible for revisions in the field or other changes after release for fabrication. Published and protected by PennBarry, Richardson, TX. All rights reserved. May not be reproduced partially or in full without permission from the publisher. No rights conveyed to manufacture partially or in full, use or sell either the method of construction represented or any invention in any way related thereto