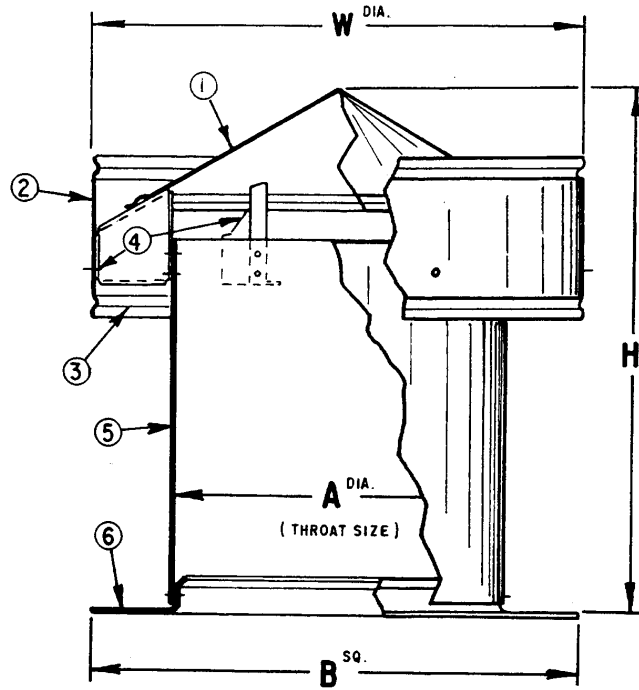


# Insul-Air Ventilator



## Legend


1. Conical Cap
2. Windband
3. Stiffening Swedges
4. Supporting Webs
5. Extended Airshaft
6. Flat Roof Mounting Base

## Dimensional Data

	4	5	6	7	8	9	10	12
<b>A<sup>DIA.</sup></b> Throat Size	4	5	6	7	8	9	10	12
<b>W<sup>DIA.</sup></b> Width	8 1/4	9 1/4	10 1/4	11 1/4	12 1/4	14 3/4	15 3/4	17 3/4
<b>H</b> Height	14 1/4	15 1/8	15 5/8	15 5/8	15 7/8	17 3/4	18	18 1/4
<b>B<sup>SQ.</sup></b>	8	9	10	11	12	13	14	15 1/2

All dimensions in inches.

**Material:** Galvanized Steel

 <p style="text-align: center;"><b>PENNBARRY™</b></p> <p>1401 North Plano Road, Richardson, TX 75081 Ph: 972.234.3202 Fax: 972.497.0468 www.PennBarry.com</p>	<h2 style="margin: 0;">Submittal Sheet</h2> <h3 style="margin: 0;">Insul-Air Ventilator</h3> <h4 style="margin: 0;">Sizes 4 through 12</h4>
--	---

This drawing illustrates our understanding of order requirements. When approved, it represents details for fabrication, as such, PennBarry will not be responsible for revisions in the field or other changes after release for fabrication. Published and protected by PennBarry, Richardson, TX. All rights reserved. May not be reproduced partially or in full without permission from the publisher. No rights conveyed to manufacture partially or in full, use or sell either the method of construction represented or any invention in any way related thereto.

**Form ES-HPA**  
Revised March 2005