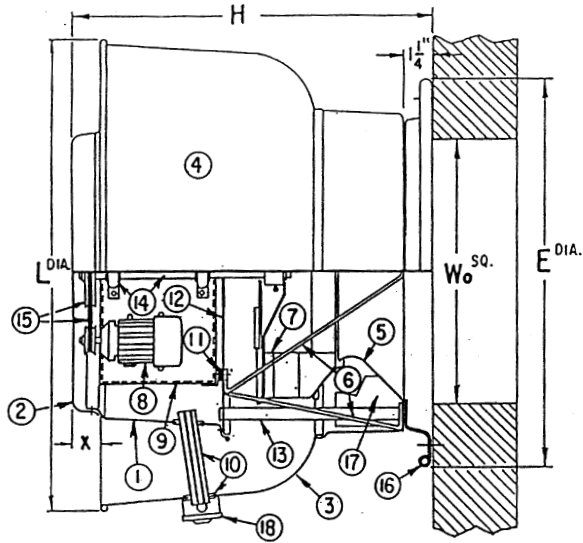
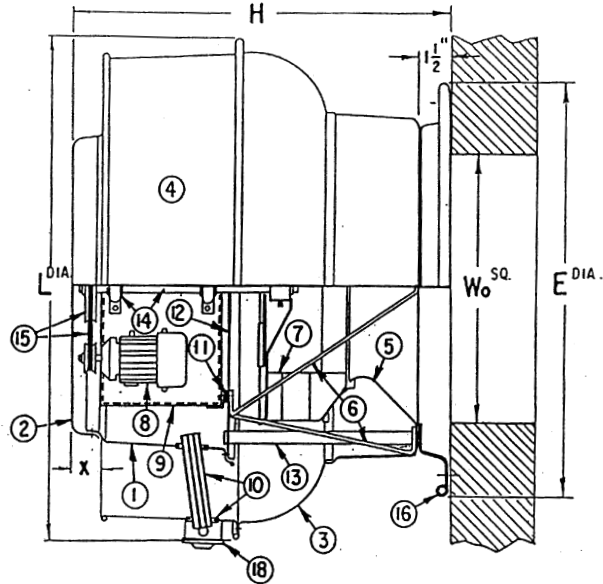


# High Pressure Fumex Belt Drive - Wall Mounted

**WFX12BH,  
WFX12BHFT, WFX13BHFT**



**WFX18BH, WFX18BHFT,  
WFX24BH, WFX24BHFT**



## Legend

- |  |  |  |
|--|--|--|
| 1. Motor Dome                                    | 8. Motor (2 Hp Max.)                       | 15. Belt & Pulleys   |
| 2. Motor Dome Top                                | 9. Motor Support Plate                     | 16. Spun Bead Mounting Flange  |
| 3. Discharge Apron*                              | 10. Cooling Tube & Gaskets                 | 17. Air Cut Off (WFX12BHFT -<br>WFX13BHFT Only)  |
| 4. Windband*                                     | 11. Anti-Vibration Mounts                  | 18. Weather Tight Disconnect Switch<br>(Only On BHFT Units For Alternative<br>External Wiring - By Others) |
| 5. Spun Inlet Venturi                            | 12. Top Plate                              |  |
| 6. Tri-Strut™ Brace                              | 13. Conduit Guide -<br>(Not On BHFT Units) |  |
| 7. Centrifugal Fan Wheel<br>(With Cooling Vanes) | 14. Fan Shaft & Bearings                   |  |

\*Discharge apron & windband is one piece on sizes WFX12BH, WFX12BHFT, WFX13BHFT.

## Dimensional Data

DIMENSIONS	Belt Drive Models			
	WFX12BH, WFX12BHFT	WFX13BHFT	WFX18BH, WFX18BHFT	WFX24BH, WFX24BHFT
L <sup>DIA.</sup>	35	35	39	46
H	30	30	32 1/2	36
E <sup>DIA.</sup>	27 1/4	27 1/4	29 1/2	35 7/8
X	5 3/4	5 3/4	6 1/2	7
W <sub>0</sub> <sup>SQ.</sup>	16	16	20	25

**Note:** Maximum motor size is 2 HP for wall mounted Fumex units.

All dimensions in inches.

**Material:** Spun Aluminum Housing



PENNBARRY™

1401 North Plano Road, Richardson, TX 75081  
Ph: 972.234.3202 Fax: 972.497.0468  
www.PennBarry.com

**Submittal Sheet**  
**High Pressure Fumex**  
**Spun Aluminum**  
**Centrifugal Wall Exhausters**

This drawing illustrates our understanding of order requirements. When approved, it represents details for fabrication, as such, PennBarry will not be responsible for revisions in the field or other changes after release for fabrication. Published and protected by PennBarry, Richardson, TX. All rights reserved. May not be reproduced partially or in full without permission from the publisher. No rights conveyed to manufacture partially or in full, use or sell either the method of construction represented or any invention in any way related thereto.

**Form ES-WFX-4**  
Revised March 2005