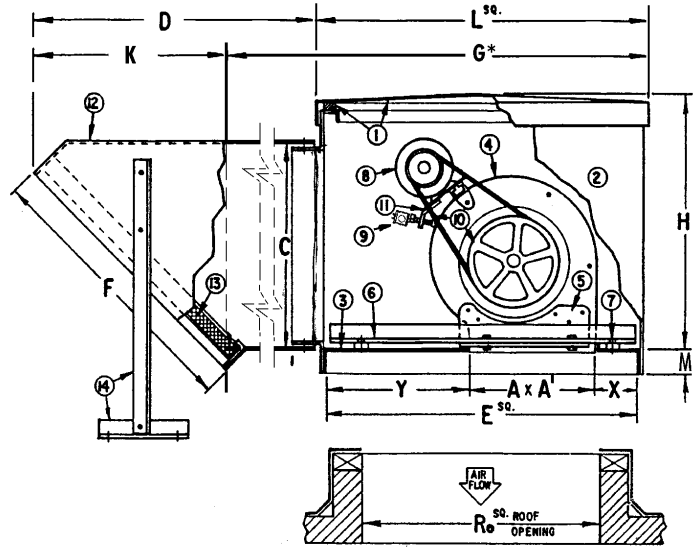
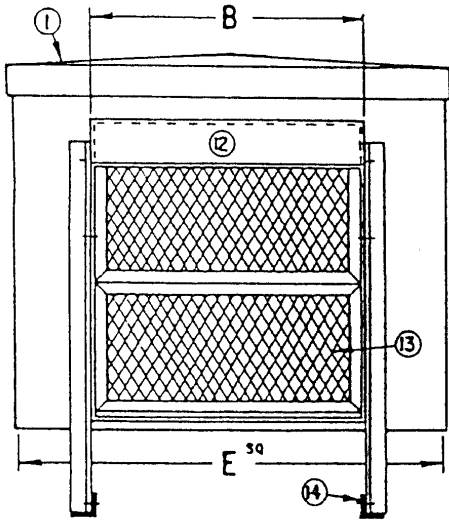


Muffan - Model FS

Side Flo Belt Drive



Legend:

- | | |
|--------------------------------|---------------------------------------|
| 1. Removable Roof Cap W/Gasket | 8. Thermally Protected Motor |
| 2. Galvanized Steel Housing | 9. Safety Disconnect Switch |
| 3. Integral Mounting Base | 10. Belt and Pulleys |
| 4. Blower Housing | 11. Adjustable Motor Mounting Plate |
| 5. Blower Housing Mtg. Plates | 12. Filter Hood (optional extension)* |
| 6. Steel Angle Cross Braces | 13. Cleanable Filters |
| 7. Anti-Vibration Mounts | 14. Hood Support Angles W/Feet |


Dimensional Data:

Model	E ^{sq.}	ROSQ.	LSQ.	H	Y	Outlet A X A'		X	Inlet-Duct		D	F	G*	K	M	Qty/Size (W X H) of Filters	Filter Thickness
						C	B		C	B							
FS10B	28 ³ / ₈	20	28 ⁷ / ₈	27 ⁵ / ₈	8	11 ¹ / ₂	13	8 ⁷ / ₈	22 ¹ / ₂	22 ⁵ / ₈	23 ⁵ / ₈	27 ¹ / ₈	120	19 ³ / ₈	2	(1) 21 ¹ / ₂ x 26 ¹ / ₄	1"
FS12B	32 ³ / ₈	24	32 ⁷ / ₈	31 ⁵ / ₈	8 ⁵ / ₈	13 ¹ / ₂	15 ¹ / ₂	10 ¹ / ₄	26 ³ / ₄	26 ⁵ / ₈	27 ³ / ₄	33 ³ / ₈	120	23 ³ / ₈	2	(1) 25 ³ / ₄ x 32 ¹ / ₄	1"
FS15B	32 ³ / ₈	24	32 ⁷ / ₈	31 ⁵ / ₈	7 ¹ / ₂	15 ⁵ / ₈	18 ⁵ / ₈	9	26 ³ / ₄	26 ⁵ / ₈	27 ³ / ₄	33 ³ / ₈	120	23 ³ / ₈	2	(1) 25 ³ / ₄ x 32 ¹ / ₄	1"
FS18B	36 ³ / ₈	28	36 ⁷ / ₈	35 ⁵ / ₈	6 ⁷ / ₈	18 ⁷ / ₈	21 ³ / ₄	10 ⁵ / ₈	30 ¹ / ₂	30 ⁵ / ₈	31 ⁵ / ₈	38 ¹ / ₂	120	27 ¹ / ₄	2 ¹ / ₂	(2) 19 ¹ / ₂ x 30	1"
FS20B	48 ³ / ₈	40	48 ⁷ / ₈	52 ⁵ / ₈	11 ¹ / ₈	24 ⁷ / ₈	24 ³ / ₄	12 ³ / ₈	42	42 ⁵ / ₈	43	54 ⁵ / ₈	120	38 ³ / ₄	3 ¹ / ₂	(2) 27 ³ / ₁₆ x 41 ⁷ / ₁₆	1"

* Outside dimension of curb should be 1 1/2" less than 'E' dimension. All dimensions in inches.

Material:

Galvanized Steel Housing

 PENNBARRY™ 1401 N. Plano Rd., Richardson, TX 75081 Ph: 972.234.3202; Fax: 972.497.0468 www.pennbarry.com	<h2>Submittal Sheet</h2> <h3>Muffan - Model FS</h3> <h3>Side Flo Belt Drive Filtered Supply Fan</h3>
---	--

This drawing illustrates our understanding of order requirements. When approved, it represents details for fabrication, as such, PennBarry will not be responsible for revisions in the field or other changes after release for fabrication. Published and protected by PennBarry, Richardson, TX. All rights reserved. May not be reproduced partially or in full without permission from the publisher. No rights conveyed to manufacture partially or in full, use or sell either the method of construction represented or any invention in any way related thereto.

Form ES-FS
October 2009