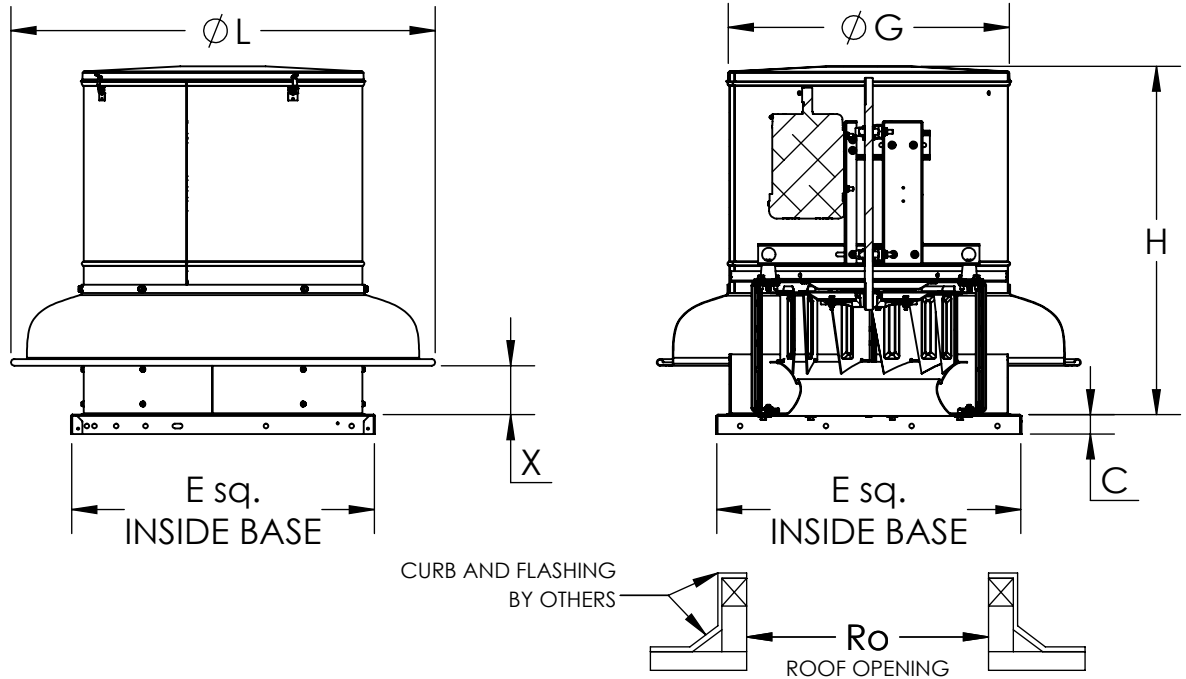




DATE: TAG:
 JOB:
 PROJECT:
 COMPANY:
 SALES PERSON:

PRD-BD (DOWNBLAST CENTRIFUGAL FAN)
 POWER ROOF VENTILATOR - BELT DRIVE



Standard Construction

- 1) Backward Inclined Alum Wheel
- 2) Alum housing with Curb Cap
- 3) Galvanized motor structure with lifting lug
- 4) Drain Spout
- 5) Bird Screen

Options & Accessories

- | | |
|-----------------------------------|------------------------|
| 1) Floating hinge kit | 6) Extended lube lines |
| 2) Hinge sub-base | 7) Curb Adaptor |
| 3) Pedestal (Vented & Non-Vented) | 8) Coatings |
| 4) Bird screen/Outlet Guard | 9) Disconnect Switch |
| 5) Back Draft & Control Damper | 10) Insect Screen |

DIMENSIONAL DATA

SIZES	PARTIAL WIDTH 'X'					L	H	G	E	C	Ro	MAX MTR FRAME	MAX RPM	MAX WT. (lbs)
	110%	100%	80%	50%	30%									
060	-	2	-	-	-	25 1/4	21 1/2	16 1/4	17 1/8	1 13/16	9 1/2	48	4400	40
070	-	2	-	-	-	25 1/4	21 1/2	16 1/4	17 1/8	1 13/16	9 1/2	48	4400	41
080	-	2	-	-	-	25 1/4	21 1/2	16 1/4	17 1/8	1 13/16	9 1/2	48	4400	42
100	-	2	-	-	-	25 1/4	21 1/2	16 1/4	17 1/8	1 13/16	9 1/2	48	4400	39
122	-	2 1/2	-	-	-	30 1/4	24 1/2	19 3/4	21	1 13/16	13 1/2	48	3550	51
135	-	3 5/16	2 3/8	-	-	30 1/4	25 5/16	19 3/4	21	1 13/16	13 1/2	48	3222	52
150	-	3 3/4	2 11/16	-	-	33 1/4	26 1/4	21 7/8	23 3/8	1 13/16	16	145T	2900	56
165	4 3/4	4 3/16	3 1/16	1 1/4	-	36 1/4	29	24 1/8	25 5/8	1 13/16	18	145T	2636	67
182	5 1/4	4 5/8	3 5/16	1 7/16	-	39 3/4	32 9/16	26 5/8	28 3/8	1 13/16	21	184T	2300	75
200	5 11/16	5	3 9/16	1 1/2	-	43 1/4	33 13/16	29 1/8	31 1/8	1 13/16	23 1/2	184T	2100	92
222	6 1/2	5 3/4	4 3/16	1 13/16	-	47 3/4	35 7/8	32 1/4	34 9/16	1 13/16	27 1/2	184T	1888	110
245	7	7 1/8	5 3/8	2 13/16	1 1/16	47 3/4	37 5/16	32 1/4	34 9/16	1 13/16	27 1/2	215T	1714	121
270	8 13/16	7 7/8	5 15/16	3 1/8	1 1/4	52 3/8	39 3/4	35 1/2	38 1/4	1 13/16	31	215T	1556	140
300	9 13/16	8 3/4	6 5/8	3 1/2	1 3/8	57 3/4	41 3/4	39 3/8	42 1/2	1 13/16	35	215T	1400	165
330	10 3/4	9 9/16	7 1/4	3 3/4	1 7/16	63 1/4	43 7/8	43 3/8	46 5/8	1 7/8	39	215T	1273	211
365	11 15/16	10 5/8	8 1/16	4 3/16	1 5/8	69 11/16	46 1/2	47 7/8	51 5/8	1 7/8	44	215T	1151	250
402	-	11 3/4	8 15/16	4 11/16	1 13/16	76 7/16	48 15/16	52 3/4	56 7/8	1 7/8	49 1/2	215T	1044	290
445	-	14 5/8	11 1/2	6 3/4	3 5/8	71 1/4	51 9/16	51 1/8	55 1/4	1 7/8	48	215T	944	351
490	-	16 1/8	12 11/16	7 1/2	4 1/16	78 1/8	57 1/4	56 1/4	60 3/4	1 7/8	53 1/2	254T	857	408
542	-	17 13/16	13	8 1/4	4 7/16	86 1/4	60 3/4	62 1/4	67 3/8	1 7/8	60	254T	774	461

ALL DIMENSIONS ARE IN INCHES, WEIGHTS ARE APPROXIMATE AND DOES NOT INCLUDE DRIVES OR ACCESSORIES.

REVISION:

FORM:

REPLACES: