

LWP

Wall Propeller Fans

TECHNICAL SPECIFICATIONS



PENNBARRY™

BULLETIN LWP21

TABLE OF CONTENTS

INTRODUCTION	3
CERTIFICATIONS & LISTINGS	3
LWP BELT DRIVE	4
LWP 20 BELT DRIVE	5
LWP 24 BELT DRIVE	6
LWP 30 BELT DRIVE	7
LWP 36 BELT DRIVE	8
LWP 42 BELT DRIVE	9
LWP 48 BELT DRIVE	10
LWP 54 BELT DRIVE	11
LWP 60 BELT DRIVE	12

INTRODUCTION

LWP Series Wall Mounted Propeller Fans

The LWP propeller fan line addresses the need for wall mounted exhaust and ventilation. Applications include garages, factories, warehouses, and other relatively clean air applications.

All propellers in the LWP product line are statically and dynamically balanced to AMCA Standard 204-96, Balance Quality and Vibration Levels for Fans, to ensure quiet and reliable operation.

All fans are fully assembled and test run prior to shipping.



CERTIFICATIONS & LISTINGS



LWP Belt Drive Fans

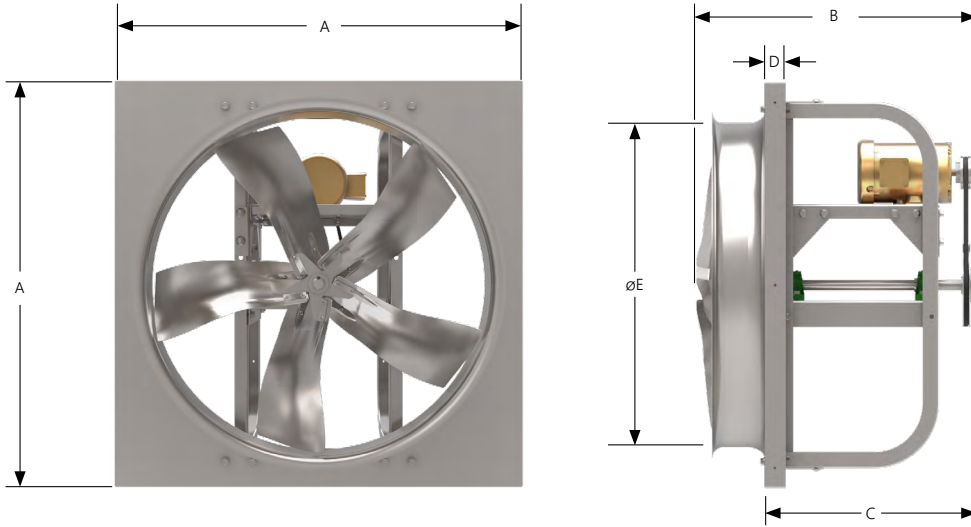
PennBarry certifies that the LWP models shown herein are licensed to bear the AMCA seal. The ratings shown are based on tests and procedures performed in accordance with AMCA publication 211 and AMCA publication 311 and comply with the requirements of the AMCA Certified Ratings Program.



UL and cULus Certification

LWP fans carry the UL label, UL705, (ZACT/ZACT7), file #E28413

LWP | BELT DRIVE



Size	A	B Max	C	D	E
20	26.00	21.13	16.38	2.00	20.25
24	32.00	22.00	16.38	2.00	24.30
30	38.00	26.38	20.25	2.00	30.31
36	44.00	27.63	19.75	2.00	36.38
42	50.00	28.88	19.75	2.00	42.44
48	56.00	31.25	21.00	2.00	48.50
54	62.00	34.00	22.63	2.00	56.56
60	68.00	35.75	22.88	2.00	60.38

All dimensions are in inches

LWP | 20 BELT DRIVE

Model	Motor HP	Fan RPM	Max Fan Input Power	Max Sones	Tip Speed	CFM/Static Pressure (Inches WG)													
						0.000	0.050	0.100	0.150	0.200	0.250	0.300	0.375	0.500	0.625	0.750	1.000		
Level 1 Performance						Max Motor Frame 56						Max RPM L-1034 H-1861							
LWP-1L20	1/4	766	0.2	13.6	4011	3702	3369	2936											
		821	0.25	15.1	4299	3968	3663	3283											
		868	0.3	16.5	4545	4195	3909	3573	3019										
	1/3	840	0.27	15.6	4398	4060	3764	3401											
		901	0.33	17.6	4718	4355	4079	3764	3307										
		967	0.4	19.8	5063	4674	4417	4131	3780										
1/2	1034	0.5	22	5414	4998	4758	4497	4198	3763										
LWP-1H20	1/4	1149	0.2	17.8	6016	3114	2942	2763	2574	2357									
		1227	0.25	19.9	6425	3325	3165	2999	2826	2641	2413								
		1292	0.3	22	6765	3501	3349	3193	3031	2857	2663	2411							
	1/3	1259	0.27	21	6592	3412	3255	3095	2928	2748	2537								
		1352	0.33	24	7079	3664	3518	3371	3216	3054	2886	2674							
		1415	0.4	26	7409	3834	3695	3556	3408	3257	3097	2916	2550						
	1/2	1558	0.5	31	8158	4222	4096	3969	3838	3703	3565	3419	3169						
		1626	0.6	33	8514	4406	4285	4164	4040	3911	3782	3643	3426						
	3/4	1780	0.75	39	9320	4824	4713	4603	4492	4375	4257	4139	3949	3586					
		1861	0.9	42	9744	5043	4937	4832	4726	4616	4503	4391	4213	3894	3461				
	Level 2 Performance						Max Motor Frame 56						Max RPM L-1256 H-1626						
	LWP-2L20	1/2	1034	0.5	22	5414	4998	4758	4497	4198	3753								
1084			0.6	24	5676	5239	5010	4768	4500	4157									
3/4		1188	0.75	28	6220	5742	5533	5323	5079	4810	4482								
	1256	0.9	31	3576	6071	5873	5675	5452	5221	4927	4519								
LWP-2H20	1/4	1149	0.2	17.8	6016	3114	2942	2763	2574	2357									
		1227	0.25	19.9	6425	3325	3165	2999	2826	2641	2413								
		1292	0.3	22	6765	3501	3349	3193	3031	2857	2663	2411							
	1/3	1259	0.27	21	6592	3412	3255	3095	2928	2748	2537								
		1352	0.33	24	7079	3664	3518	3371	3216	3054	2886	2674							
		1415	0.4	26	7409	3834	3695	3556	3408	3257	3097	2916	2550						
	1/2	1558	0.5	31	8158	4222	4096	3969	3838	3703	3565	3419	3169						
		1626	0.6	33	8514	4406	4285	4164	4040	3911	3782	3643	3426						

Performance certified is for installation type A: free inlet, free outlet. Power rating does not include transmission losses. Performance ratings do not include appurtenances. The sound ratings shown are loudness values in fan sones at 1.5 m (5 ft) in a hemispherical free field calculated per AMCA International Standard 301. Values are for installation type A: free inlet hemispherical sone levels.

LWP | 24 BELT DRIVE

Model	Motor HP	Fan RPM	Max Fan Input Power	Max Sones	Tip Speed	CFM/Static Pressure (Inches WG)												
						0.000	0.050	0.100	0.150	0.200	0.250	0.300	0.375	0.500	0.625	0.750	1.000	
Level 1 Performance						Max Motor Frame 56						Max RPM L-875 H-1370						
LWP-1L24	1/4	571	0.2	12	2990	4769	4217											
		605	0.25	13.5	3168	5053	4539	3768										
		647	0.3	14.9	3388	5404	4931	4324										
	1/3	624	0.27	14.1	3267	5212	4717	4051										
		670	0.33	15.7	3508	5596	5144	4575										
	1/2	766	0.5	19	4011	6398	6010	5568	4989									
		812	0.6	21	4252	6782	6415	6007	5510									
3/4	875	0.75	23	4581	7308	6968	6601	6187	5618									
LWP-1H24	1/4	854	0.2	16.7	5366	3999	3723	3428	3101									
		904	0.25	18.2	5680	4233	3972	3696	3401	3037								
		957	0.3	19.6	6013	4481	4235	3976	3703	3390								
	1/3	934	0.27	19	5868	4374	4121	3855	3572	3238								
		985	0.33	20	6189	4612	4373	4123	3861	3574	3187							
		1048	0.4	22	6585	4907	4682	4450	4210	3951	3645							
	1/2	1147	0.5	25	7207	5371	5166	4958	4739	4512	4275	3987						
		1201	0.6	27	7546	5624	5427	5231	5022	4812	4585	4342	3858					
	3/4	1321	0.75	32	8302	6187	6008	5830	5645	5454	5260	5054	4714					
1370		0.9	34	8608	6415	6243	6071	5895	5711	5527	5331	5031	4312					
Level 2 Performance						Max Motor Frame 145T						Max RPM L-1167 H-1201						
LWP-2L24	3/4	875	0.75	23	4581	7308	6968	6601	6187	5618								
		920	0.9	25	4817	7684	7360	7021	6642	6170	5293							
	1	961	1	27	5032	8026	7716	7399	7037	6616	6023							
		1015	1.2	30	5315	8477	8184	7890	7551	7193	6748	5994						
	1 1/2	1107	1.5	35	5796	9246	8977	8707	8415	8100	7746	7339						
1167		1.8	39	6110	9747	9491	9236	8970	8672	8374	7995	7227						
LWP-2H24	1/4	854	0.2	16.7	5366	3999	3723	3428	3101									
		904	0.25	18.2	5680	4233	3972	3696	3401	3037								
		957	0.3	19.6	6013	4481	4235	3976	3703	3390								
	1/3	934	0.27	19	5868	4374	4121	3855	3572	3238								
		985	0.33	20	6189	4612	4373	4123	3861	3574	3187							
		1048	0.4	22	6585	4907	4682	4450	4210	3951	3645							
	1/2	1147	0.5	25	7207	5371	5166	4958	4739	4512	4275	3987						
1201		0.6	27	7546	5624	5427	5231	5022	4812	4585	4342	3858						

Performance certified is for installation type A: free inlet, free outlet. Power rating does not include transmission losses. Performance ratings do not include appurtenances. The sound ratings shown are loudness values in fan sones at 1.5 m (5 ft) in a hemispherical free field calculated per AMCA International Standard 301. Values are for installation type A: free inlet hemispherical sone levels.

LWP | 30 BELT DRIVE

Model	Motor HP	Fan RPM	Max Fan Input Power	Max Sones	Tip Speed	CFM/Static Pressure (Inches WG)													
						0.000	0.050	0.100	0.150	0.200	0.250	0.300	0.375	0.500	0.625	0.750	1.000		
Level 1 Performance						Max Motor Frame 143T						Max RPM L-702 H-761							
LWP-1L30	1/4	419	0.2	8.9	3291	6576	5733												
		442	0.25	9.7	3471	6936	6146	4813											
		477	0.3	11.1	3746	7486	6766	5813											
	1/3	456	0.27	10.3	3581	7156	6395	5256											
		493	0.33	11.7	3872	7737	7046	6169											
		527	0.4	13.1	4139	8270	7637	6857											
	1/2	561	0.5	14.6	4406	8804	8214	7530	6505										
		602	0.6	16.3	4728	9447	8898	8278	7518										
	3/4	641	0.75	18.1	5034	10059	9543	8975	8309	7329									
		683	0.9	19.9	5364	10719	10234	9716	9143	8432									
1	702	1	21	5513	11017	10545	10049	9498	8822	7739									
LWP-1H30	1/4	497	0.2	11.9	3903	6019	5439	4721											
		528	0.25	13.6	4147	6395	5856	5205											
		564	0.3	15.4	4430	6831	6335	5753	4909										
	1/3	542	0.27	14.3	4257	6564	6043	5419	4399										
		585	0.33	16.3	4595	7085	6608	6067	5323										
		616	0.4	17.6	4838	7460	7007	6501	5898	4843									
	1/2	671	0.5	20	5270	8127	7710	7259	6747	6059									
		708	0.6	22	5561	8575	8180	7762	7304	6759	5877								
	3/4	761	0.75	25	5977	9217	8850	8473	8054	7580	6985	6090							
	Level 2 Performance						Max Motor Frame 145T						Max RPM L-955 H-1124						
LWP-2L30	1	702	1	21	5513	11017	10545	10049	9498	8822	7739								
		750	1.2	23	5890	11770	11329	10881	10366	9792	9081	7690							
	1 1/2	812	1.5	26	6377	12743	12335	11928	11469	10993	10415	9695							
		852	1.8	28	6692	13371	12982	12594	12171	11718	11216	10646	9158						
	2	891	2	30	6998	13983	13611	13240	12850	12417	11983	11439	10392						
955		2.4	34	7501	14987	14641	14294	13947	13549	13145	12715	11952							
LWP-2H30	3/4	761	0.75	25	5977	9217	8850	8473	8054	7580	6985	6090							
		815	0.9	28	6401	9871	9528	9185	8798	8396	7923	7286							
	1	836	1	29	6566	10125	9791	9457	9084	8703	8248	7697							
		895	1.2	33	7029	10839	10527	10216	9882	9525	9145	8714	7826						
	1 1/2	965	1.5	39	7579	11687	11398	11109	10816	10485	10155	9785	9185						
		1023	1.8	42	8035	12390	12117	11844	11571	11270	10958	10646	10088	8823					
	2	1066	2	45	8372	12910	12648	12387	12125	11846	11547	11248	10745	9678					
		1124	2.4	49	8828	13613	13364	13116	12868	12618	12334	12050	11617	10759	9400				

Performance certified is for installation type A: free inlet, free outlet. Power rating does not include transmission losses. Performance ratings do not include appurtenances. The sound ratings shown are loudness values in fan sones at 1.5 m (5 ft) in a hemispherical free field calculated per AMCA International Standard 301. Values are for installation type A: free inlet hemispherical sone levels.

LWP | 36 BELT DRIVE

Model	Motor HP	Fan RPM	Max Fan Input Power	Max Sones	Tip Speed	CFM/Static Pressure (Inches WG)												
						0.000	0.050	0.100	0.150	0.200	0.250	0.300	0.375	0.500	0.625	0.750	1.000	
Level 1 Performance						Max Motor Frame 143T						Max RPM L-516 H-624						
LWP-1L36	1/3	342	0.27	8.7	3223	9274	8031											
		360	0.33	9.4	3393	9763	8592											
		385	0.4	10.7	3629	10441	9362	7800										
	1/2	418	0.5	12.5	3940	11335	10363	9136										
		440	0.6	13.7	4147	11932	11022	9903										
	3/4	475	0.75	15.7	4477	12881	12045	11084	9713									
		508	0.9	17.4	4788	13776	12994	12117	11051									
1	516	1	17.8	4863	13993	13223	12364	11332	9451									
LWP-1H36	1/3	404	0.27	11.4	3808	8455	7594	6459										
		435	0.33	13.2	4100	9104	8317	7362										
		456	0.4	14.5	4298	9543	8802	7918	6514									
	1/2	497	0.5	17.2	4684	10401	9727	8968	7985									
		521	0.6	18.7	4910	10903	10260	9546	8701	7293								
	3/4	568	0.75	22	5353	11887	11297	10661	9947	9022								
		599	0.9	24	5645	12536	11977	11387	10748	9977	8830							
1	624	1	25	5881	13059	12522	11966	11353	10646	9714								
Level 2 Performance						Max Motor Frame 145T						Max RPM L-697 H-828						
LWP-2L36	1	516	1	17.8	4863	13993	13223	12364	11332	9451								
		557	1.2	20	5250	15105	14392	13622	12751	11604								
	1 1/2	595	1.5	22	5608	16135	15468	14771	13992	13056	11697							
		626	1.8	24	5900	16976	16341	15699	14959	14135	13122	11146						
	2	656	2	26	6183	17790	17184	16579	15883	15161	14272	13009						
697		2.4	29	6589	18901	18332	17762	17133	16468	15703	14867							
LWP-2H36	1	624	1	25	5881	13059	12522	11966	11353	10646	9714							
		660	1.2	27	6220	13812	13305	12795	12215	11593	10892	9827						
	1 1/2	707	1.5	31	6663	14796	14322	13848	13324	12782	12151	11430	9720					
		758	1.8	35	7144	15863	15421	14979	14512	14006	13484	12873	11685					
	2	789	2	37	7436	16512	16088	15663	15227	14741	14256	13693	12731					
828		2.4	40	7804	17328	16924	16519	16114	15657	15195	14710	13871	11705					

Performance certified is for installation type A: free inlet, free outlet. Power rating does not include transmission losses. Performance ratings do not include appurtenances. The sound ratings shown are loudness values in fan sones at 1.5 m (5 ft) in a hemispherical free field calculated per AMCA International Standard 301. Values are for installation type A: free inlet hemispherical sone levels.

LWP | 42 BELT DRIVE

Model	Motor HP	Fan RPM	Max Fan Input Power	Max Sones	Tip Speed	CFM/Static Pressure (Inches WG)													
						0.000	0.050	0.100	0.150	0.200	0.250	0.300	0.375	0.500	0.625	0.750	1.000		
Level 1 Performance						Max Motor Frame 143T						Max RPM L-404 H-477							
LWP-1L42	1/3	263	0.27	7.4	2892	11326	9329												
		282	0.33	8.3	3101	12144	10364												
		301	0.4	9.3	3310	12962	11321												
	1/2	318	0.5	10.3	3497	13694	12158	9691											
		343	0.6	11.8	3771	14771	13371	11557											
	3/4	370	0.75	13.6	4068	15933	14663	13086											
		386	0.9	14.7	4244	16622	15421	13963	11478										
1	404	1	15.9	4442	17397	16250	14929	12991											
LWP-1H42	1/3	308	0.27	9.1	3387	10236	8891	6438											
		332	0.33	10.5	3651	11033	9802	8023											
		358	0.4	12.3	3936	11897	10772	9385											
	1/2	378	0.5	13.7	4156	12562	11510	10238	7970										
		406	0.6	15.7	4464	13492	12530	11405	9792										
	3/4	433	0.75	17.8	4761	14390	13487	12475	11238	8821									
		464	0.9	20	5102	15420	14578	13654	12583	11045									
1	477	1	21	5245	15852	15033	14143	13129	11752	9075									
Level 2 Performance						Max Motor Frame 184T						Max RPM L-733 H-869							
LWP-2L42	1	404	1	15.9	4442	17397	16250	14929	12991										
		433	1.2	17.8	4761	18646	17576	16372	14905										
	1 1/2	461	1.5	19.8	5069	19852	18847	17744	16459	14597									
		487	1.8	22	5355	20972	20020	19002	17873	16477									
	2	506	2	23	5564	21790	20874	19914	18845	17548	15624								
		532	2.4	25	5850	22909	22038	21151	20135	18988	17530								
	3	585	3	29	6432	25192	24400	23607	22721	21797	20690	19364							
		614	3.6	31	6751	26441	25686	24931	24116	23235	22278	21171	18563						
	5	689	5	38	7576	29670	28998	28325	27652	26887	26102	25291	23811						
		733	6	42	8060	31565	30933	30301	29668	28993	28255	27518	26249	23381					
LWP-2H42	1	477	1	21	5245	15852	15033	14143	13129	11752	9075								
		509	1.2	24	5597	16915	16148	15335	14451	13390	11732								
	1 1/2	547	1.5	28	6015	18178	17464	16732	15916	15001	13873	12161							
		582	1.8	30	6399	19341	18670	17998	17238	16451	15523	14274	10583						
	2	601	2	32	6608	19973	19323	18672	17949	17206	16328	15292	12900						
		644	2.4	35	7081	21402	20795	20188	19542	18848	18118	17279	15595						
	3	688	3	40	7565	22864	22296	21728	21152	20503	19854	19125	17946	14318					
		737	3.6	45	8104	24493	23962	23432	22902	22321	21715	21109	20037	17646					
	5	822	5	55	9038	27317	26842	26366	25891	25415	24882	24338	23523	21907	19620	14685			
		869	6	61	9555	28879	28429	27980	27530	27080	26607	26093	25322	23891	22154	19499			

Performance certified is for installation type A: free inlet, free outlet. Power rating does not include transmission losses. Performance ratings do not include appurtenances. The sound ratings shown are loudness values in fan sones at 1.5 m (5 ft) in a hemispherical free field calculated per AMCA International Standard 301. Values are for installation type A: free inlet hemispherical sone levels.

LWP | 48 BELT DRIVE

Model	Motor HP	Fan RPM	Max Fan Input Power	Max Sones	Tip Speed	CFM/Static Pressure (Inches WG)												
						0.000	0.050	0.100	0.150	0.200	0.250	0.300	0.375	0.500	0.625	0.750	1.000	
Level 1 Performance						Max Motor Frame 143T						Max RPM L-326 H-387						
LWP-1L48	1/2	260	0.5	9.3	3267	16713	14537											
		270	0.6	9.9	3393	17356	15275											
	3/4	295	0.75	11.8	3707	18963	17095	14545										
		315	0.9	13.2	3958	20248	18529	16367										
	1	326	1	14.1	4097	20955	19311	17277										
LWP-1H48	1/2	283	0.4	10.1	3556	14039	12380	9819										
		308	0.5	11.9	3870	15279	13779	11878										
		329	0.6	13.6	4134	16321	14937	13262										
	3/4	349	0.75	15.3	4386	17313	16028	14511	12256									
		374	0.9	17.5	4700	18553	17359	16014	14294									
		1	387	1	18.6	4863	19198	18044	16758	15228								
Level 2 Performance						Max Motor Frame 184T						Max RPM L-592 H-696						
LWP-2L48	1	326	1	14.1	4097	20955	19311	17277										
		341	1.2	15.2	4285	21920	20366	18501	15538									
	1 1/2	373	1.5	17.7	4687	23977	22557	20951	18973									
		389	1.8	19	4888	25005	23644	22128	20312	17141								
	2	407	2	21	5115	26162	24861	23439	21794	19463								
		427	2.4	22	5366	27448	26207	24882	23415	21595								
	3	468	3	26	5881	30083	28952	27803	26483	25005	23166							
		494	3.6	28	6208	31754	30682	29610	28383	27113	25540	23348						
	5	551	5	34	6924	35418	34457	33496	32478	31357	30208	28798	25960					
		592	6	38	7439	38054	37159	36265	35370	34335	33291	32156	30188					
LWP-2H48	1	387	1	18.6	4863	19198	18044	16758	15228									
		409	1.2	21	5140	20289	19197	18002	16624	14670								
	1 1/2	438	1.5	23	5504	21728	20708	19621	18423	16989	14606							
		470	1.8	27	5906	23315	22365	21383	20297	19052	17431							
	2	483	2	28	6070	23960	23035	22093	21036	19866	18466	16312						
		517	2.4	33	6497	25647	24783	23919	22949	21961	20767	19266						
	3	554	3	38	6962	27482	26676	25870	25001	24080	23079	21965	19588					
		594	3.6	41	7464	29466	28714	27963	27192	26333	25473	24483	22810					
	5	660	5	48	8294	32741	32064	31387	30710	29984	29211	28437	27117	24275				
		696	6	53	8746	34526	33885	33243	32601	31948	31215	30482	29342	27124	23432			

Performance certified is for installation type A: free inlet, free outlet. Power rating does not include transmission losses. Performance ratings do not include appurtenances. The sound ratings shown are loudness values in fan sones at 1.5 m (5 ft) in a hemispherical free field calculated per AMCA International Standard 301. Values are for installation type A: free inlet hemispherical sone levels.

LWP | 54 BELT DRIVE

Model	Motor HP	Fan RPM	Max Fan Input Power	Max Sones	Tip Speed	CFM/Static Pressure (Inches WG)												
						0.000	0.050	0.100	0.150	0.200	0.250	0.300	0.375	0.500	0.625	0.750	1.000	
Level 1 Performance						Max Motor Frame 145T						Max RPM L-301 H-362						
LWP-1L54	3/4	227	0.6	9.1	3209	20776	17963											
		240	0.75	10.2	3393	21966	19333											
		256	0.9	11.5	3619	23430	20996	17447										
	1	267	1	12.4	3775	24437	22126	19138										
		285	1.2	14	4029	26084	23958	21306										
1 1/2	301	1.5	15.4	4255	27549	25569	23172	19160										
LWP-1H54	3/4	268	0.6	11.5	3789	18929	16982	14382										
		287	0.75	13.2	4057	20271	18479	16293										
		304	0.9	14.8	4298	21472	19804	17816	14655									
	1	316	1	15.9	4467	22320	20729	18873	16213									
		339	1.2	18.2	4792	23944	22462	20803	18816									
1 1/2	362	1.5	21	5118	25569	24180	22659	20900	18387									
Level 2 Performance						Max Motor Frame 184T						Max RPM L-479 H-575						
LWP-2L54	1 1/2	301	1.5	15.4	4255	27549	25569	23172	19160									
		325	1.8	17.5	4595	29745	27912	25824	23134									
	2	337	2	18.6	4764	30844	29076	27088	24665									
		354	2.4	20	5005	32400	30716	28860	26675	23415								
	3	379	3	23	5358	34688	33116	31435	29571	27265								
		407	3.6	25	5754	37250	35786	34281	32573	30595	27932							
	5	455	5	31	6432	41643	40334	39024	37559	36032	34202	32010						
		479	6	33	6772	43840	42596	41352	40012	38561	36994	35169	31032					
LWP-2H54	1 1/2	362	1.5	21	5118	25569	24180	22659	20900	18387								
		383	1.8	23	5415	27052	25740	24332	22762	20791								
	2	397	2	24	5612	28041	26775	25437	23985	22235	19546							
		420	2.4	27	5938	29665	28469	27236	25869	24312	22314							
	3	458	3	33	6475	32349	31252	30155	28921	27659	26143	24206						
		483	3.6	36	6828	34115	33075	32034	30900	29711	28376	26938	23495					
	5	542	5	46	7662	38282	37355	36428	35498	34439	33379	32221	30300					
		575	6	50	8129	40613	39739	38865	37991	37037	36038	35039	33281	29377				

Performance certified is for installation type A: free inlet, free outlet. Power rating does not include transmission losses. Performance ratings do not include appurtenances. The sound ratings shown are loudness values in fan sones at 1.5 m (5 ft) in a hemispherical free field calculated per AMCA International Standard 301. Values are for installation type A: free inlet hemispherical sone levels.

LWP | 60 BELT DRIVE

Model	Motor HP	Fan RPM	Max Fan Input Power	Max Sones	Tip Speed	CFM/Static Pressure (Inches WG)												
						0.000	0.050	0.100	0.150	0.200	0.250	0.300	0.375	0.500	0.625	0.750	1.000	
Level 2 Performance						Max Motor Frame 184T						Max RPM L-406 H-487						
LWP-2L60	1 1/2	238	1.2	12.4	3738	29880	26993	23147										
		257	1.5	14.3	4037	32266	29647	26384										
		268	1.8	15.4	4210	33647	31168	28147	22696									
	2	280	2	16.6	4398	35153	32789	30042	25914									
		301	2.4	18.7	4728	37790	35590	33111	30073									
	3	320	3	21	5027	40175	38106	35829	33157	29210								
		341	3.6	23	5356	42812	40870	38795	36492	33644								
	5	376	5	27	5906	47206	45445	43663	41609	39326	36533	31094						
		406	6	31	6377	50972	49342	47711	45876	43974	41660	38780						
	LWP-2H60	1 1/2	281	1.2	15.7	4414	27226	25235	22891	19475								
306			1.5	18.4	4807	29648	27823	25783	23343									
322			1.8	20	5058	31198	29464	27556	25335	22039								
2		335	2	22	5262	32458	30791	28983	26927	24156								
		354	2.4	24	5561	34298	32721	31047	29217	27037	23507							
3		380	3	28	5969	36818	35348	33839	32159	30260	27861	24263						
		407	3.6	32	6393	39434	38062	36690	35137	33526	31630	29067						
5		454	5	40	7131	43987	42757	41528	40224	38819	37359	35659	32333					
		487	6	46	7650	47185	46038	44892	43740	42430	41120	39683	37307					

Performance certified is for installation type A: free inlet, free outlet. Power rating does not include transmission losses. Performance ratings do not include appurtenances. The sound ratings shown are loudness values in fan sones at 1.5 m (5 ft) in a hemispherical free field calculated per AMCA International Standard 301. Values are for installation type A: free inlet hemispherical sone levels.

PENNBARRYPRODUCTSOLUTIONS



Commercial

- Roof & wall exhaust centrifugal fans
- Ceiling, wall, & inline centrifugal fans
- Roof supply centrifugal fans
- Square & round centrifugal fans
- Wall mounted axial fans
- Hooded roof axial fans
- Upblast roof axial fans
- Gravity ventilators
- Roof curbs



Industrial

- Freestanding centrifugal fans
- Industrial & material handling fans
- Tubular centrifugal inline fans
- Mixed flow centrifugal fans
- Plug & plenum fans
- Wall mounted propeller fans
- Tube axial fans
- Vane axial fans
- Bifurcator fans
- Lab exhaust



Kitchen ventilation

- Make-up air units
- Exhaust fans



Energy recovery

- Outdoor units
- Indoor units

PennBarry is proud to be your preferred manufacturer of commercial and industrial fans and blowers. Learn how PennBarry can assist you in your next application by contacting your PennBarry Representative or visiting us on the web at www.pennbarry.com

PennBarry | www.pennbarry.com | pennbarrysales@pennbarry.com | Tel 972 212 4700 | Fax 972 212 4702

PennBarry reserves the right to make changes at any time, without notice, to models, construction, specifications, options and availability. This document illustrates the appearance of PennBarry products at the time of publication. View the latest updates on the PennBarry website.

© 2021 PennBarry. All rights reserved. LWP APRIL 2021.



PENNBARRY™